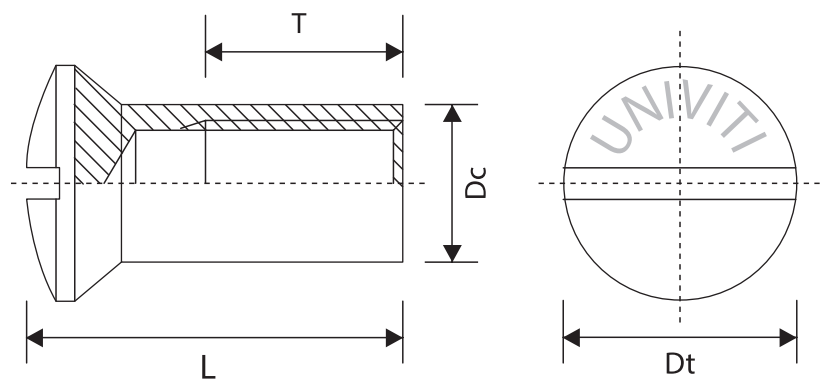


TESTINA TSG



M	4	5	6	8
L	7/12/14/20	15	15/20	15/20
T	3/7/8/13	9	9/13	7/12
Dc	5	6	7,5	10
Dt	7	9	10	15