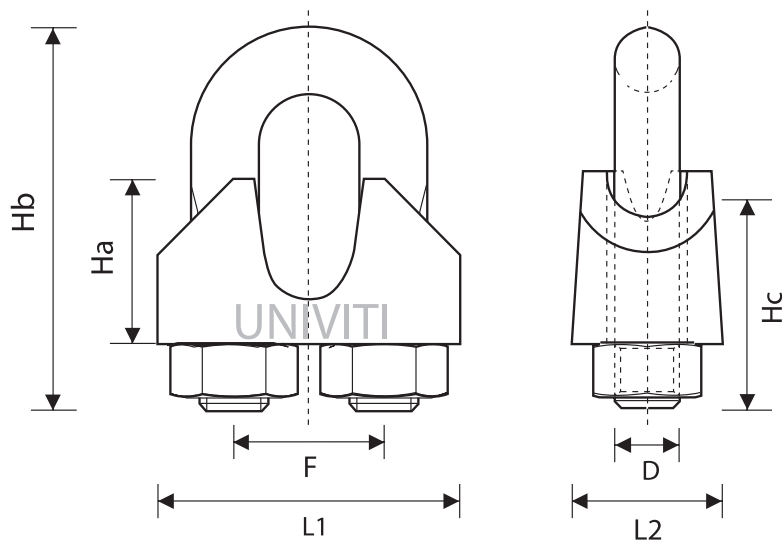


DIN 741

MORSETTO A CAVALLOTTO PER FUNI METALLICHE



| dimensioni per corda \varnothing | 1/8" | 3/16" | 1/4" | 5/16" | 7/16" | 1/2" | 5/8" |
|---------------------------------------|------|-------|------|-------|-------|------|------|
| D | M 4 | M 5 | M 5 | M 6 | M 8 | M 10 | M 12 |
| Hb | 20 | 24 | 28 | 34 | 44 | 55 | 63 |
| Hc | 12 | 13 | 15 | 19 | 22 | 30 | 33 |
| F | 9 | 11 | 13 | 16 | 20 | 24 | 29 |
| Ha | 10 | 10 | 11 | 15 | 18 | 21 | 26 |
| L1 | 21 | 23 | 26 | 30 | 36 | 42 | 50 |
| L2 | 10 | 11 | 12 | 14 | 19 | 23 | 26 |