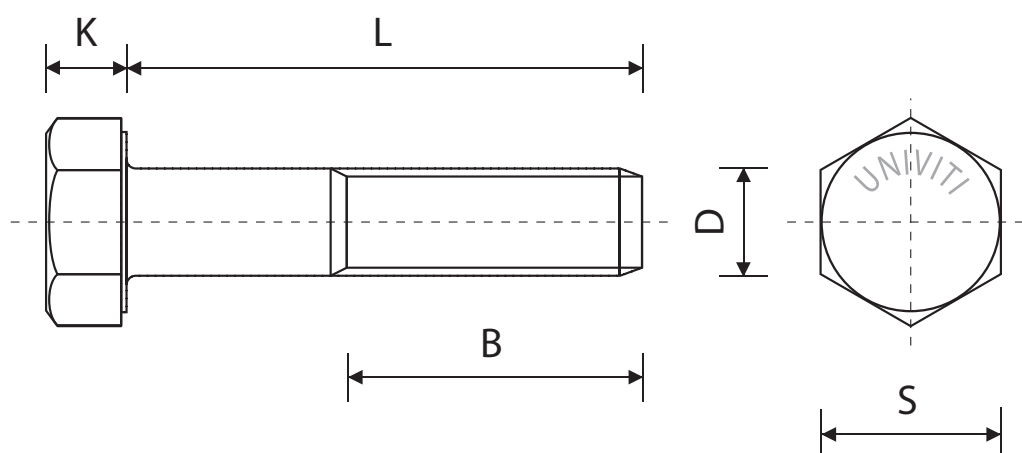


DIN 931 UNI 5737 ISO 4014

VITE A TESTA ESAGONALE PARZIALMENTE FILETTATA - PASSO UNC



D	1/4"-20	5/16"-18	3/8"-16	7/16"-14	1/2"-13	5/8"-11	3/4"-10	1"-8
K	5/32	13/64	15/64	9/32	5/16	25/64	15/32	39/64
B (l<6")	3/4	7/8	1	1.1/8	1.1/4	1.1/2	1.3/4	2.1/4
B (l>6")	1	1.1/8	1.1/4	1.3/8	1.1/2	1.3/4	2	2.1/2
S	7/16	1/2	9/16	5/8	3/4	15/16	1.1/8	1.1/2