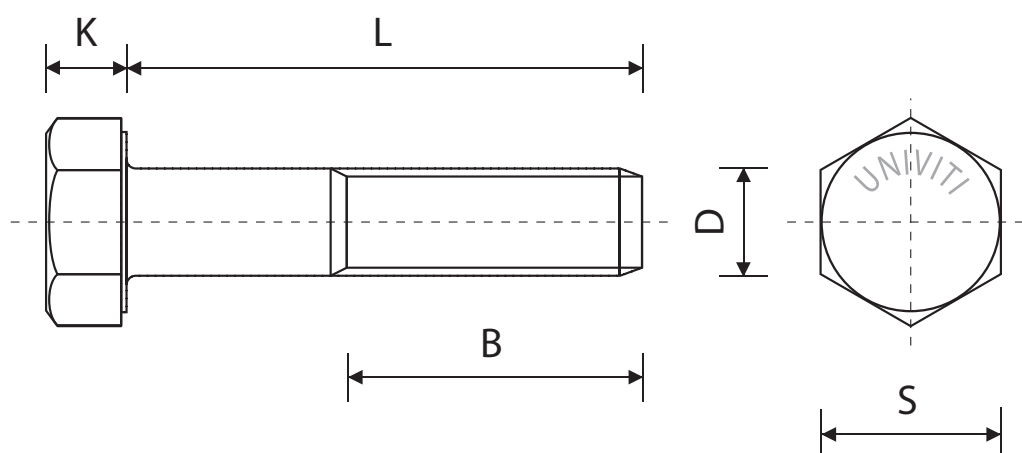


## DIN 931 UNI 5737 ISO 4014

VITE A TESTA ESAGONALE PARZIALMENTE FILETTATA - PASSO UNF



<b>D</b>	<b>1/4"-28</b>	<b>5/16"-24</b>	<b>3/8"-24</b>	<b>7/16"-20</b>	<b>1/2"-20</b>
<b>K</b>	5/32	13/64	15/64	9/32	5/16
<b>B (l&lt;6")</b>	3/4	7/8	1	1.1/8	1.1/4
<b>B (l&gt;6")</b>	1	1.1/8	1.1/4	1.3/8	1.1/2
<b>S</b>	7/16	1/2	9/16	5/8	3/4
<b>D</b>	<b>5/8"-18</b>	<b>3/4"-16</b>	<b>7/8"-14</b>	<b>1"-1/2</b>	
<b>K</b>	25/64	15/32	39/64	39/64	
<b>B (l&lt;6")</b>	1.1/2	1.3/4	2	2.1/4	
<b>B (l&gt;6")</b>	1.3/4	2	2.1/2	2.1/2	
<b>S</b>	15/16	1.1/8	1.5/1.6	1.1/2	